

Linear

SUMO 504 Fixture Guide

KKDÖ

Indoor/Outdoor | Surface | Max output up to 1880lm/m (570lm/ft)

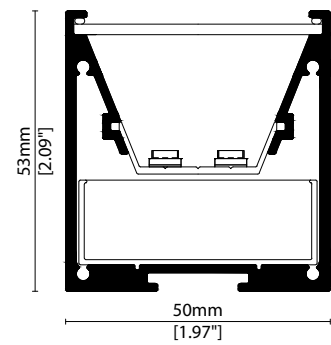


Key applications

- ✓ Building façades
- ✓ Interior/Exterior
- ✓ Public spaces
- ✓ Uplighting
- ✓ Wall grazing
- ✓ Window Reveal

Key features

- ✓ Control Gear
- ✓ Diffusion: Homogenous
- ✓ Direct view
- ✓ Extensive CCT range
- ✓ Form factor: Large
- ✓ IP54
- ✓ IP67
- ✓ Output max



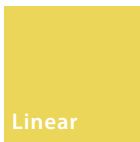
MOUNTING METHODS



KKBK-16 small adjustable bracket



KKBK-17 large adjustable bracket



SUMO 504

Specification sheet



Dimension	H53.2/W50/L520, 1020, 1520, 2020mm (H2.09/W1.97/L20.47, 40.16, 59.84, 79.53in)
PCB increment	100mm increment/2000mm max (3.94in increment/78.74in max)
LED pitch	16.7mm - 60LED/m (0.66in - 18LED/ft)
Chip	s/e-line Toyoda Gosei k-line Samsung
Beam angle	75° (Clear Cover) / 105° (Diffused Cover)
Colours	n-line 2700K/3000K s/e-line 2100K/2300K/2500K/2700K/3000K/3200K/3500K/4000K/5000K s-line Single colours: Red/Green/Blue/Orange/Amber k-line 1900K/2100K/2300K/2500K/2700K/3000K/3500K/4000K/5000K
Bin/Step	s-line 2-step MacAdam ellipse n/e/k-line 3-step MacAdam ellipse
CRI	≥ 90
Lifetime	50,000 hours @ 25°C (50,000 hours @ 77°F)
Operating temp	T _a = -25 to 60°C (T _c max = 65°C) T _a = -13 to 140°F (T _c max = 149°F)
IP rating	P54/IP67
Finish	Silver anodised
Cover/lens	Clear/Diffused
Mounting	Surface mounting via brackets
Power feed	Sheathed hardwire tails (AC Input: 220-240V AC, DIM Input: 1-10V)
Control	Integral 1-10V/Switched



LED Grading Key

Exclusive Grade

n-line*	Full visible spectrum NO UV or IR 380nm-780nm 3-step CCT range	*KKDC tuned CCT range
s-line*	2-step CCT range	
e-line*	3-step CCT range	

Base Grade

k-line	3-step commercial range Energy Star CCTs
---------------	---

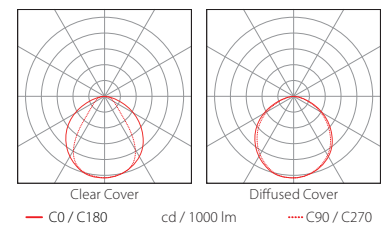
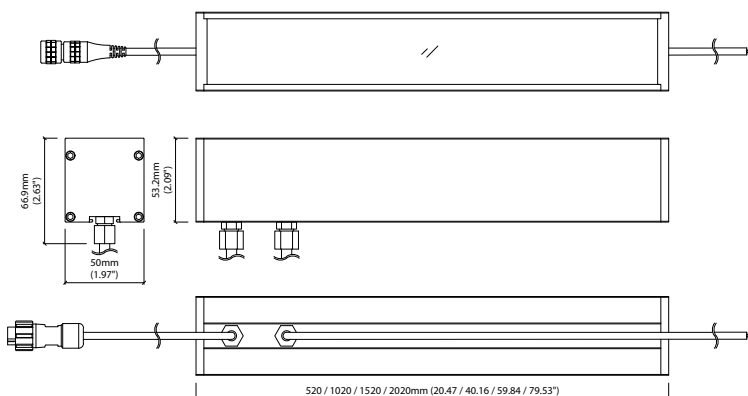
PERFORMANCE DATA @ 3000K

Power consumption	Supply voltage	Supply current
30W/m (9.14lm/ft)	220-240V AC 50/60Hz	0.16A/m (0.05A/ft)

Colour Rendering Index (CRI)

	R1	R2	R3	R4	R5	R6	R7	R8	R9	R10	R11	R12	R13	R14
k-line	94	97	98	93	93	96	92	83	60	93	94	82	95	99

	Clear Cover		Diffused Cover		CRI	R9	Rf	Rg
n-line	1060lm/m (323lm/ft)	35.4lm/W						
s/e-line	1880lm/m (570lm/ft)	62.5lm/W	1580lm/m (480lm/ft)	52.8lm/W	90	50	-	-
k-line	1630lm/m (490lm/ft)	54.4lm/W	1370lm/m (420lm/ft)	45.5lm/W	92	60	-	-



Data derived from independent UKAS / IESNA LM-79-08 accredited testing of production samples.

FIXTURE

Model	Finish	Cover	Grade*	LED	Colour (CCT)	Length Availability**	IP	Cable Length	Power Feed	Control	Input						
SUMO	SU Silver Anodised	SA Clear	B	n ²	504	1900K ³	19	m 520/1020/ 1520/2020mm 100mm increments i 20.47/40.16/ 59.84/79.53in 3.94in increments (Specify length code OR total run length)	IP54 54 IP67 ⁴ 67	1000mm/ 39.37"	1000	Single ø6.3mm sheath tail	S00B	Switched (ON/OFF)	0	AC 220V	d
						2100K	21										
						2300K ³	23										
						2500K	25										
						2700K	27										
						3000K	30										
						3200K ³	32										
						3500K	35										
						4000K	40										
						5000K	50										
						RED	RED s-only										
						GREEN	GRN										
						BLUE	BLU										
						ORANGE	ORN										
						AMBER	AMB										

¹ Diffused cover is only available in s/e/k-line ² n-line: 2700K / 3000K ³ 1900K is only available in k-line, 2300K & 3200K are only available in s/e-line

⁴ Due to the clear, flush potted polyurethane top layer on IP67 SUMO a colour shift of +/-20K should be expected

⁵ 1-10V version has two cable exits: 1000mm/39.37" power connection & 1000mm/39.37" dimming connection

* Refer to **LED Grading Key** on **Specification sheet** page ** Refer to **Length Availability List** or enter total run length instead of length code

Code Example:

SU	-	SA	-	B	-	s	-	504	-	35	-	m	-	520	-	67	-	1000	-	S00B	-	1	-	d
SUMO		Silver Anodised		Clear		s		504		3500K		m		520mm		IP67		1000mm/39.37"		Single ø6.3mm sheath tail		1-10V		AC 220V

ACCESSORIES

Mounting Accessories

KKBK-16	Small adjustable bracket
KKBK-17	Large adjustable bracket

Exterior Junction Boxes

KKJB-07	IP67 Slim J-Box
KKJB-07R	Potting Resin for IP67 Slim J-Box

PSU/Driver

Integral 1-10V/Switched

* Refer to **Mounting options** on **Accessories** pages

* Refer to **Exterior Junction Boxes** on **Accessories** pages

LED ENGINE VARIANTS (LED STRIP TYPE)

Colour	Output	LED	Lumen/m	Lumen/ft	W/m	W/ft	Spec Doc	Length	Increment
Single CCT	Max	504	1880	570	30	9.14	SUMO 504	520/1020/1520/2020mm 20.47/40.16/59.84/79.53in	100mm/3.94in

* Performance data: s/e-line, clear cover, 3000K

SUMO 504

Length Availability List

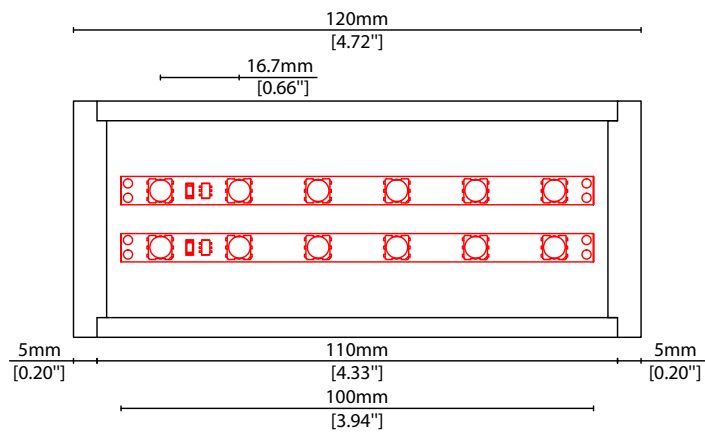


Length Code		Fixture Length ¹		LED Strip ²		End Cap Dimension ³		Wattage (W)	Output (lm)	
Metric	Imperial(US)	Metric	Imperial(US)	Metric	Imperial(US)	Metric	Imperial(US)		3000K (Test Data)	Range Data
m0520	i0020	520mm	20.47in	500mm	19.69in	10mm	0.39in	17.50	1094	637-1138
m1020	i0040	1020mm	40.16in	1000mm	39.37in	10mm	0.39in	35.00	2188	1274-2275
m1520	i0060	1520mm	59.84in	1500mm	59.06in	10mm	0.39in	52.50	3281	1911-3413
m2020	i0080	2020mm	79.53in	2000mm	78.74in	10mm	0.39in	70.00	4375	2548-4550

¹ Actual total overall length of light fixture (LED strip + end caps + void/wire hole)

² Actual length of PCB strip

³ Actual length of 2x end caps



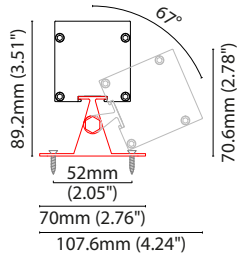
MOUNTING OPTIONS

Note: Accessories are to be ordered separately with corresponding code shown below.



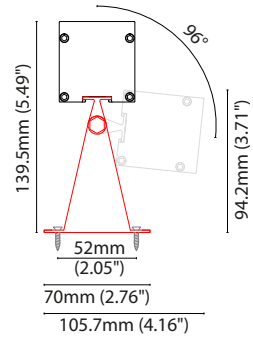
KKBK-16

Small adjustable bracket
(allow 2 per metre/40in)
Silver anodised aluminium finish



KKBK-17

Large adjustable bracket
(allow 2 per metre/40in)
Silver anodised aluminium finish



EXTERIOR JUNCTION BOXES



KKJB-07

IP67 Slim J-Box
(including type A,B,C,D bushings)



KKJB-07R

Potting resin for IP67 Slim J-Box