

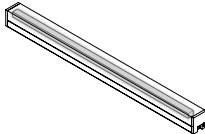
OVERVIEW

CHROMAPATH[®] Bundle Channels are ready for loading tape light in the field. These channels protect indoor LED tape light by providing a rigid, dust proof housing that can be mounted on virtually any flat surface. These channels are sold in 48 inch bundles and help create sleek, completely customized LED tape lighting installations.

CHROMAPATH Bundle Channels are not available in the Custom Fully Loaded Channel program. For Fully Loaded options see the 'CHROMAPATH Builder Channels' Specification Sheet.

FEATURES & BENEFITS

- Industrial extrusions for custom lighting
- Bundles include: channel, lens, mounting clips, and end caps (mounting clips for surface & suspended mount channels only)
- Channels act as a heat sink, cooling and prolonging the LED tape light lifespan
- Provides additional defense from dust and debris, protecting the LED investment
- 5-Year Warranty



PREMIUM DIFFUSED OPTIONS
Channels listed below eliminate LED hotspots by creating totally diffused linear light when paired with compatible tape light. See pg. 7 for compatible tape lights.

20mm SQUARE CORNER
20mm ROUNDED CORNER
SCONCE

FINISHES



Item #	
Project	

SPECIFICATIONS

- Material: Aluminum
- Finish: Clear anodized aluminum
- Mounting Clip Material: Steel
- End Cap Material: PVC
- Cover Material: Polycarbonate
- Field Cuttable: Yes
- Mounting: Clips included. Additional clips available
- Dimensions: See Mechanical Diagrams
- Warranty: 5 years

Environmental Requirements

- Suitable for indoor dry/damp location use

Compliance & Regulatory Approvals

- Meets the following certifications when installed with compatible UL Listed tape light:

UL Listed 2108. UL 1598 / CSA 250.0-08, UL 8750. UL 879 / CAN/ CSA-C22.2 no. 207-M89. E469769 (UL Listed), E469770 (SAME Manual). 12V models are suitable for installation in a clothes closet.

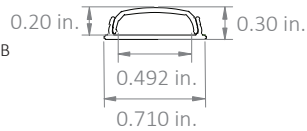
CHROMAPATH® BUNDLE CHANNELS

NOTE: CHROMAPATH Bundles are **not** interchangeable with each other **nor** compatible with CHROMAPATH Builder channels.

CHROMAPATH® BUNDLE WAVEFORM

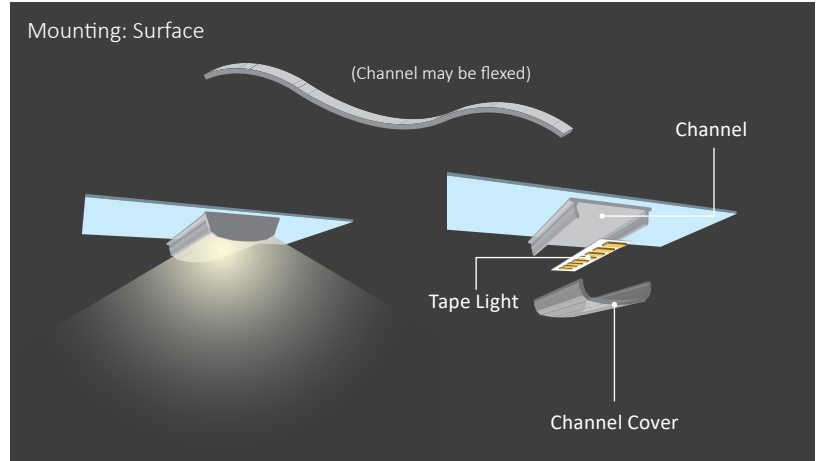
TAPE LIGHT COMPATIBILITY:

- *BLAZE™ *BASICS *DAZZLE® RGB
- *BLAZE™ X
- *VALENT™ X



*Soldered lead only

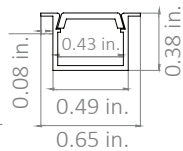
SKU	PRODUCT INCLUDES
DI-CPCHB-WF-48	<ul style="list-style-type: none"> • 48 in. channel & frosted cover • End caps. 1x open, 1x closed • 2x mounting clips
DI-CPCHB-WF-ACC	<ul style="list-style-type: none"> • End caps: 2x open, 2x closed • 4x mounting clips



CHROMAPATH® BUNDLE SLIM RECESSED

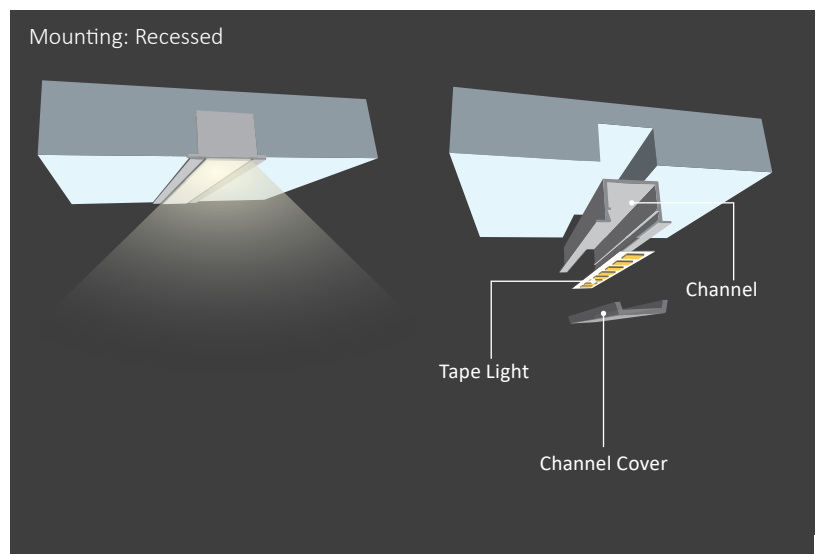
TAPE LIGHT COMPATIBILITY:

- *BLAZE™ BASICS
- *BLAZE™ X



*Soldered lead only

SKU	OPTION	INCLUDES
DI-CPCHA-SLR48	48 in. Bundle	<ul style="list-style-type: none"> • 48 in. channel & frosted cover • End caps: 1x open square, 1x open round, 1x closed square.
DI-CPCHA-SLR96	96 in. Bundle	<ul style="list-style-type: none"> • 96 in. channel & frosted cover • End caps: 1x open square, 1x open round, 1x closed square.
DI-CPEC-SLR-3	Additional End Cap Bundles	<ul style="list-style-type: none"> • 3x open square, 3x open round, 3x closed square



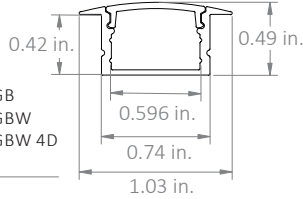
CHROMAPATH® BUNDLE CHANNELS CONT.

NOTE: CHROMAPATH Bundles are **not** interchangeable with each other **nor** compatible with CHROMAPATH Builder channels.

CHROMAPATH® BUNDLE RECESSED

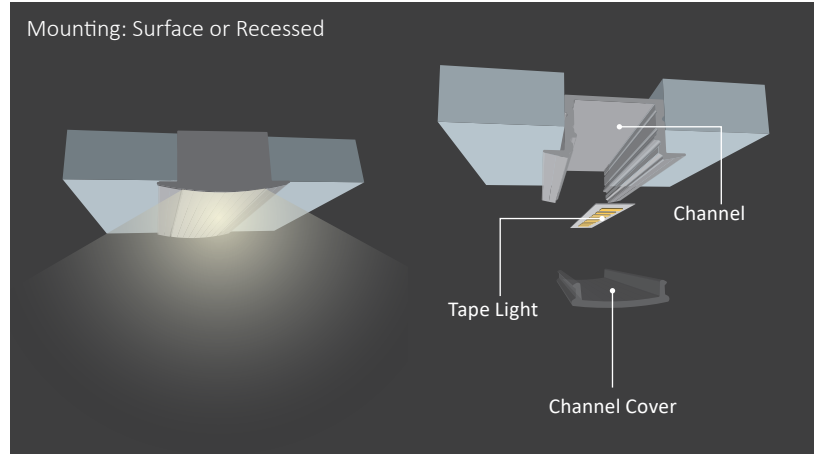
TAPE LIGHT COMPATIBILITY:

BLAZE™ BASICS *DAZZLE® RGB
 BLAZE™ X *DAZZLE® RGBW
 *VALENT® X *DAZZLE® RGBW 4D



*Soldered lead only

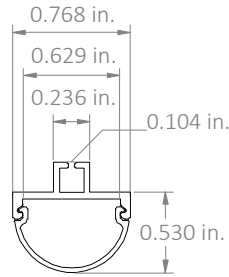
SKU	PRODUCT INCLUDES
DI-CPCHB-REC-48	<ul style="list-style-type: none"> 48 in. channel & frosted cover End-caps: 1x open, 1x closed
DI-CPCHB-REC-ACC	<ul style="list-style-type: none"> End caps: 2x open, 2x closed 4x surface mounting clips



CHROMAPATH® BUNDLE DOME

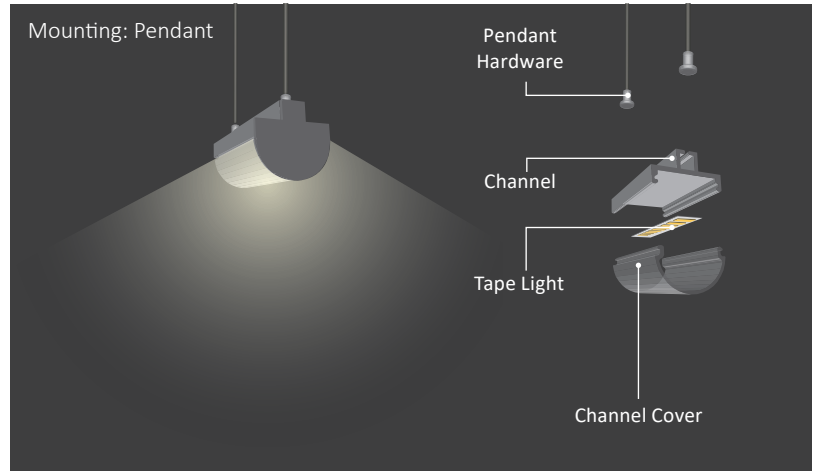
TAPE LIGHT COMPATIBILITY:

BLAZE™ BASICS *DAZZLE® RGB
 BLAZE™ X *DAZZLE® RGBW
 *VALENT® X *DAZZLE® RGBW 4D



*Soldered lead only

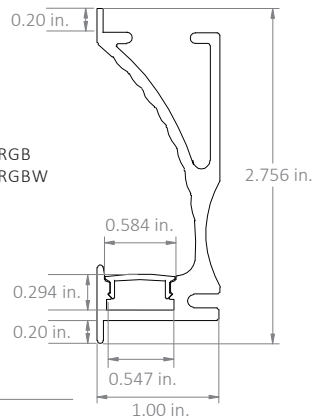
SKU	PRODUCT INCLUDES
DI-CPCHB-DOME-48	<ul style="list-style-type: none"> 48 in. channel & frosted cover End caps: 1x open, 1x closed 2x pendant hardware (39"L)
DI-CPCHB-DOME-ACC	<ul style="list-style-type: none"> End caps: 2x open, 2x closed 2x pendant hardware (39"L)



CHROMAPATH® BUNDLE REFLECTOR

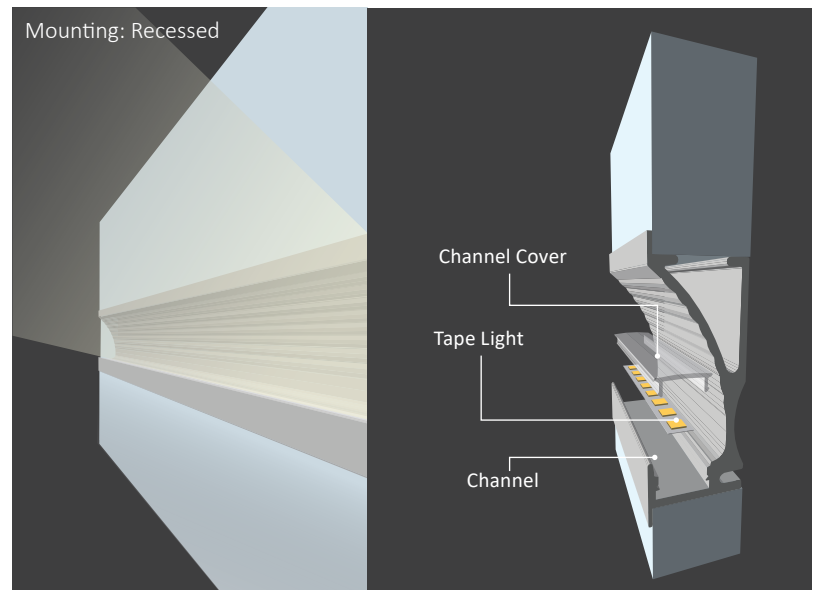
TAPE LIGHT COMPATIBILITY:

*BLAZE™ BASICS *DAZZLE® RGB
 *BLAZE™ X *DAZZLE® RGBW
 *VALENT® X



*Soldered lead only

SKU	PRODUCT INCLUDES
DI-CPCHB-RFCTR-48	<ul style="list-style-type: none"> 48 in. channel & frosted cover End caps: 1x open, 1x closed
DI-CPCHB-RFCTR-ACC	<ul style="list-style-type: none"> End caps: 2x open, 2x closed



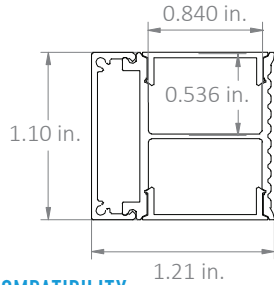
CHROMAPATH® BUNDLE CHANNELS

NOTE: CHROMAPATH Bundles are **not** interchangeable with each other **nor** compatible with CHROMAPATH Builder channels.

CHROMAPATH® BUNDLE SCONCE

TAPE LIGHT COMPATIBILITY:

BLAZE™ BASICS DAZZLE® RGB
BLAZE™ X DAZZLE® RGBW
VALENT® X

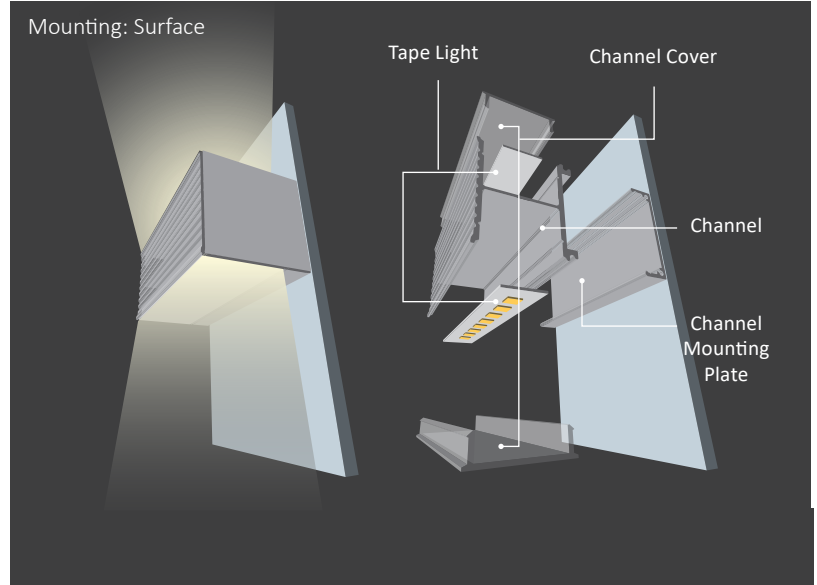


PREMIUM DIFFUSED TAPE LIGHT COMPATIBILITY:

Compatible tape light and channel eliminates LED hotspots by creating totally diffused linear light. See page 7 for details.

BLAZE™ BASICS BLAZE™ X

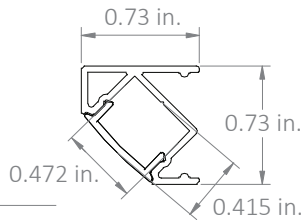
SKU	PRODUCT INCLUDES
DI-CPCHB-SCNC-48	<ul style="list-style-type: none"> • 48 in. channel, 48 in. mounting plate, 2x frosted covers • End caps: 1x open, 1x closed
DI-CPCHB-SCNC-ACC	<ul style="list-style-type: none"> • End caps: 2x open, 2x closed



CHROMAPATH® BUNDLE 45° DECO

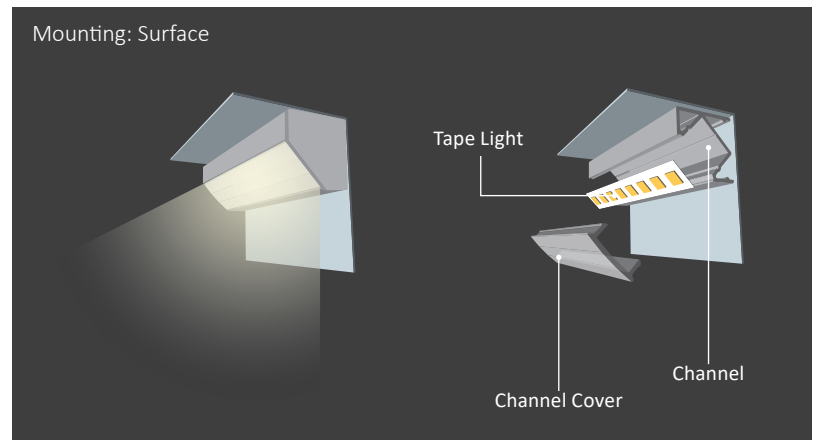
TAPE LIGHT COMPATIBILITY:

BLAZE™ BASICS *DAZZLE® RGB
BLAZE™ X



*Soldered lead only

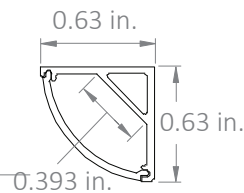
SKU	PRODUCT INCLUDES
DI-CPCHB-45DCO-48	<ul style="list-style-type: none"> • 48 in. channel & frosted cover • End-caps: 1x open, 1x closed • Mounting hardware
DI-CPCHB-45DCO-ACC	<ul style="list-style-type: none"> • End caps: 2x open, 2x closed • 4x surface mounting clips



CHROMAPATH® BUNDLE 10mm ROUNDED CORNER

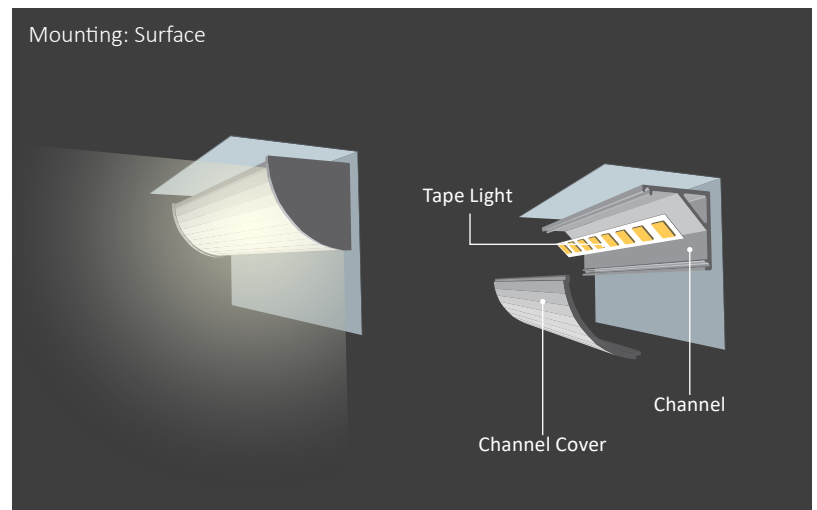
TAPE LIGHT COMPATIBILITY:

BLAZE™ BASICS
BLAZE™ X



*Soldered lead only

SKU	PRODUCT INCLUDES
DI-CPCHB-RC10-48	<ul style="list-style-type: none"> • 48 in. channel & frosted cover • End-caps: 1x open, 1x closed • Mounting hardware
DI-CPCHB-RC10-ACC	<ul style="list-style-type: none"> • End caps: 2x open, 2x closed • 4x surface mounting clips



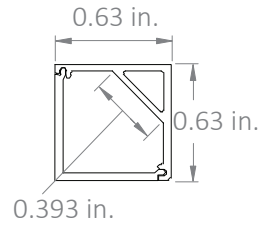
CHROMAPATH® BUNDLE CHANNELS

NOTE: CHROMAPATH Bundles are **not** interchangeable with each other **nor** compatible with CHROMAPATH Builder channels.

CHROMAPATH® BUNDLE 10mm SQUARE CORNER

TAPE LIGHT COMPATIBILITY:

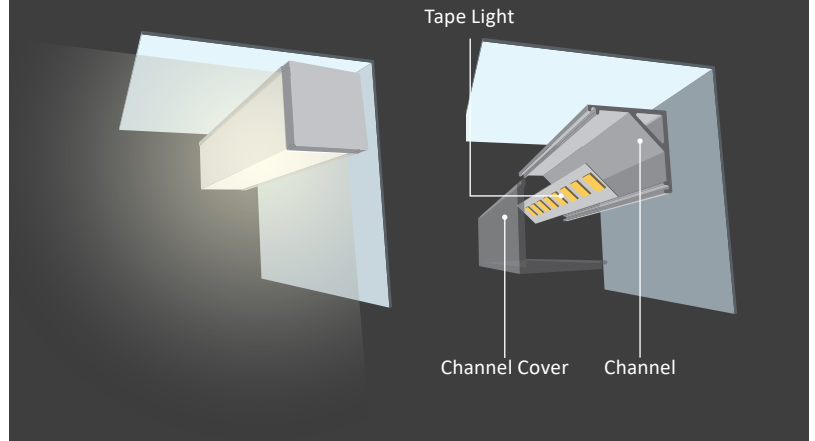
BLAZE™ BASICS
BLAZE™ X



SKU	PRODUCT INCLUDES
DI-CPCHB-SQC10-48	<ul style="list-style-type: none"> • 48 in. channel & frosted cover • End-caps: 1x open, 1x closed • Mounting hardware
DI-CPCHB-SQC10-ACC	<ul style="list-style-type: none"> • End caps: 2x open, 2x closed • 4x surface mounting clips

* Soldered leads only

Mounting: Surface

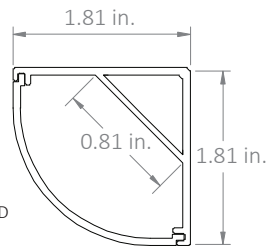


CHROMAPATH® BUNDLE 20mm ROUNDED CORNER

PREMIUM DIFFUSED TAPE LIGHT COMPATIBILITY:

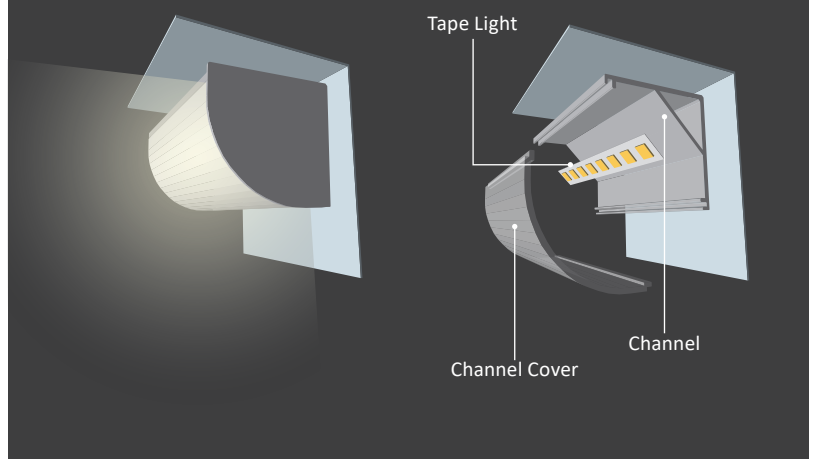
Compatible tape light and channel eliminates LED hotspots by creating totally diffused linear light. See page 7 for details.

BLAZE™ BASICS DAZZLE® RGB
BLAZE™ X DAZZLE® RGBW
VALENT® X DAZZLE® RGBW 4D



SKU	PRODUCT INCLUDES
DI-CPCHB-RC20-48	<ul style="list-style-type: none"> • 48 in. channel & frosted cover • End-caps: 1x open, 1x closed • Mounting hardware
DI-CPCHB-RC20-ACC	<ul style="list-style-type: none"> • End caps: 2x open, 2x closed • 4x surface mounting clips

Mounting: Surface

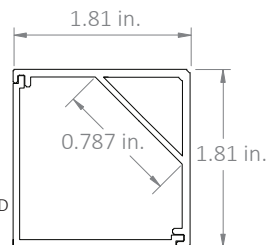


CHROMAPATH® BUNDLE 20mm SQUARE CORNER

PREMIUM DIFFUSED TAPE LIGHT COMPATIBILITY:

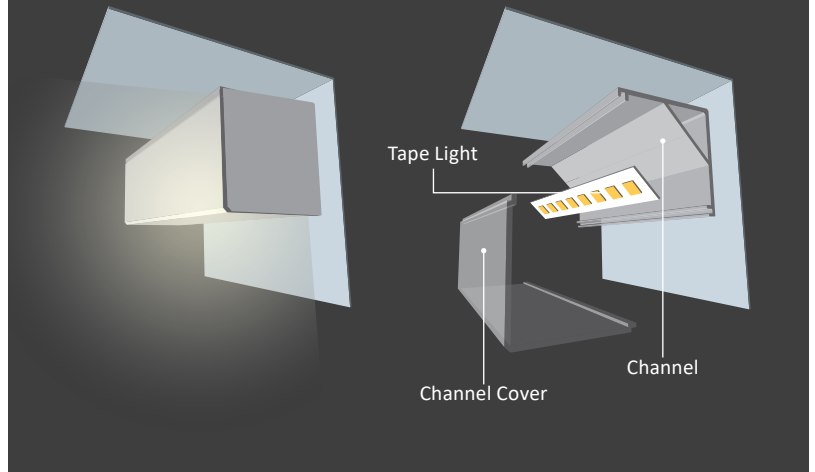
Compatible tape light and channel eliminates LED hotspots by creating totally diffused linear light. See page 7 for details.

BLAZE™ BASICS DAZZLE® RGB
BLAZE™ X DAZZLE® RGBW
VALENT® X DAZZLE® RGBW 4D



SKU	PRODUCT INCLUDES
DI-CPCHB-SQC20-48	<ul style="list-style-type: none"> • 48 in. channel & frosted cover • End-caps: 1x open, 1x closed • Mounting hardware
DI-CPCHB-SQC20-ACC	<ul style="list-style-type: none"> • End caps: 2x open, 2x closed • 4x surface mounting clips

Mounting: Surface



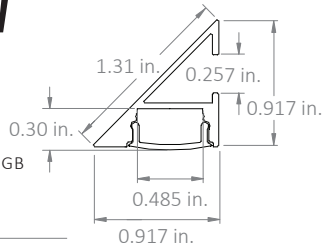
CHROMAPATH® BUNDLE CHANNELS

NOTE: CHROMAPATH Bundles are **not** interchangeable with each other **nor** compatible with CHROMAPATH Builder channels.

CHROMAPATH® BUNDLE 90° SIDEVIEW

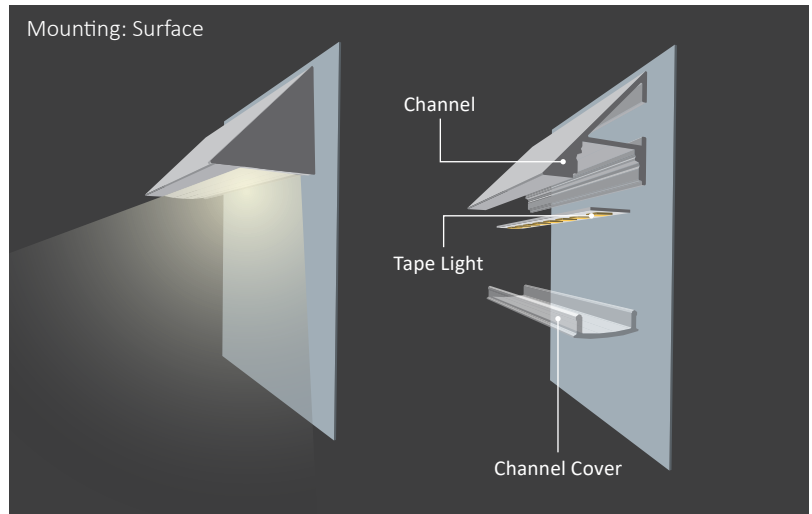
TAPE LIGHT COMPATIBILITY:

BLAZE™ BASICS *DAZZLE® RGB
BLAZE™ X



*Soldered lead only

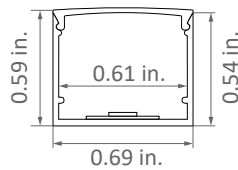
SKU	PRODUCT INCLUDES
DI-CPCHB-90SD-48	<ul style="list-style-type: none"> 48 in. channel & frosted cover End-caps: 1x open, 1x closed Mounting hardware
DI-CPCHB-90SD-ACC	<ul style="list-style-type: none"> End caps: 2x open, 2x closed 4x surface mounting clips



CANAL CHANNEL

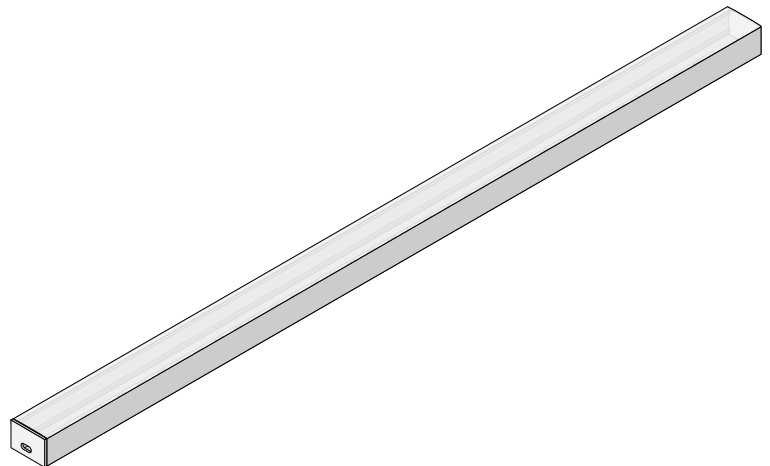
TAPE LIGHT COMPATIBILITY:

BLAZE™ BASICS *DAZZLE® RGB
BLAZE™ X *DAZZLE® RGBW
*VALENT® X *DAZZLE® RGBW 4D



*Soldered lead only

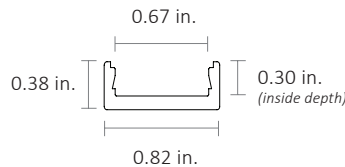
SKU	OPTION	INCLUDES
DI-CPCHB-CAN48	48 in. Bundle	<ul style="list-style-type: none"> 48 in. channel & frosted cover End caps: 1x open, 1x closed.
DI-CHCPB-CAN96	96 in. Bundle	<ul style="list-style-type: none"> 96 in. channel & frosted cover End caps: 2x open, 2x closed.
DI-CHCPB-CAN-ACC	Additional End Cap Bundles	<ul style="list-style-type: none"> 3x open, 3x closed End Caps



SLIM CHANNEL

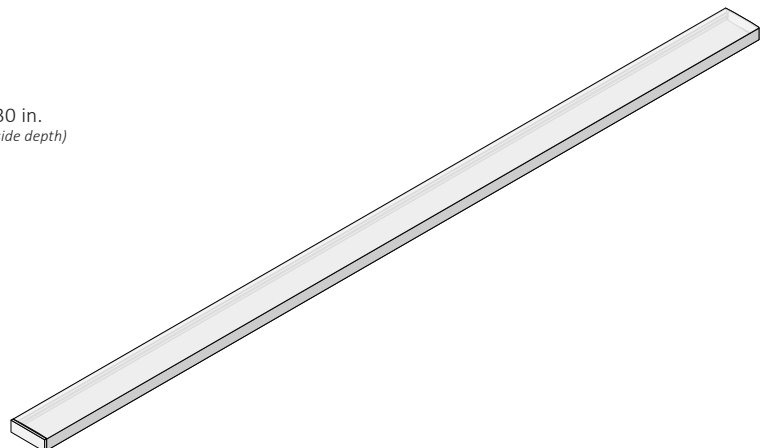
TAPE LIGHT COMPATIBILITY:

BLAZE™ BASICS *DAZZLE® RGB
BLAZE™ X *DAZZLE® RGBW
*VALENT® X *DAZZLE® RGBW 4D



*Soldered lead only

SKU	OPTION	INCLUDES
DI-CPCHB-SL-48	48 in. Bundle	<ul style="list-style-type: none"> 48 in. channel & frosted cover End caps: 1x open, 1x closed.
DI-CHCPB-CAN-ACC	Additional End Cap Bundles	<ul style="list-style-type: none"> 3x open, 3x closed End Caps



CHROMAPATH® BUNDLE CHANNELS

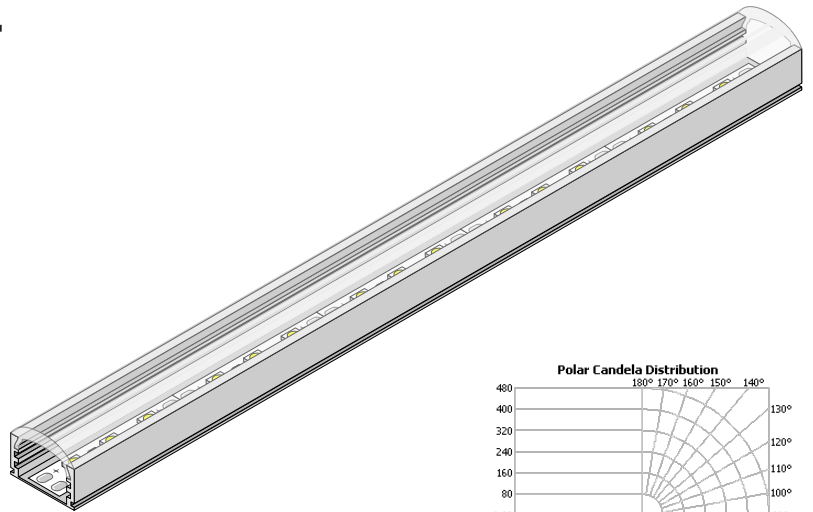
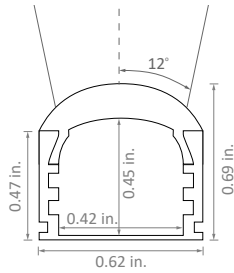
NOTE: CHROMAPATH Bundles are **not** interchangeable with each other **nor** compatible with CHROMAPATH Builder channels.

12 DEGREE GRAZER CHANNEL

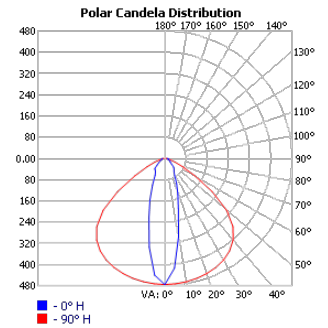
TAPE LIGHT COMPATIBILITY:

BLAZE™ BASICS
BLAZE™ X

*Soldered lead only



SKU	OPTION	INCLUDES
DI-CPCHB-12GRZR48	48 in. Bundle	<ul style="list-style-type: none"> 48 in. channel & clear cover End caps: 1x open square, 1x open round, 1x closed square.
DI-CPCHB-12GRZR96	96 in. Bundle	<ul style="list-style-type: none"> 96 in. channel & clear cover End caps: 1x open square, 1x open round, 1x closed square.
DI-CPCHB-12GRZ-ACC	Additional End Cap Bundles	<ul style="list-style-type: none"> 3x open square, 3x open round, 3x closed square



CHROMAPATH® COMPATIBILITY - CLICKTIGHT® CONNECTOR & PREMIUM DIFFUSED OPTIONS

The following connectors marked with an 'x' are compatible with CHROMAPATH Bundle Channels. Tape Light listed in the 'Premium Diffusion' column will create totally diffused linear light with compatible CHROMAPATH Bundle Channels.

	CLICKTIGHT PRO	CLICKTIGHT 8MM	CLICKTIGHT 10MM	TERMINAL CONNECTOR 8MM	TERMINAL CONNECTOR 12MM	CLICKTIGHT RGB	CLICKTIGHT RGBW	PREMIUM DIFFUSION <i>Compatible tape light and Bundled Channel eliminates LED hotspots by creating totally diffused linear light.</i>
WAVEFORM								
SLIM RECESSED								
RECESSED	x	x	x	x	x	x		
DOVE	x	x	x	x	x	x		
REFLECTOR								
SCONCE	x	x	x	x	x	x	x	BLAZE™ & DOUBLE BLAZE™
45° DECO		x		x				
10MM ROUNDED CORNER				x				
10MM SQUARE CORNER				x				
20MM ROUNDED CORNER	x	x	x	x	x	x	x	AVENUE 24™, BLAZE™, DAZZLE® RGB, DAZZLE® RGBW 4D, DOUBLE BLAZE™, FLUID VIEW®, K-RANGE®, ULTRA BLAZE™, VALENT® HD
20MM SQUARE CORNER	x	x	x	x	x	x	x	
90° SIDEVIEW								
CANAL	x	x	x	x	x	x		
GRAZER				x				
SLIM CHANNEL	x	x	x			x	x	

ADDITIONAL RESOURCES

CHROMAPATH BUILDER CHANNELS SPEC SHEET
CHROMAPATH ALUMINUM CHANNEL INSTALL GUIDE
CHROMAPATH VERTICAL MOUNTING BRACKET INSTALL GUIDE
LOW VOLTAGE TAPE LIGHT SPECIFICATION SHEETS
LOW VOLTAGE LED TAPE LIGHT INSTALL GUIDE
VALENT® X SPEC SHEET

SAFETY / WARNINGS / DISCLOSURES

1. Install in accordance with national and local electrical code regulations.
2. Do not modify or disassemble this product beyond instructions or the warranty will be void.
3. Mixing and matching finished hardware and accessories can result in loose or tight fit assemblies. We strongly recommend matching hardware and endcaps to the channel finish selected.
4. Actual color may vary from what is pictured on this sheet and other print materials due to the limitations of photographic processes.
5. We reserve the right to modify and improve the design of our fixtures without prior notice. We cannot guarantee to match existing installed fixtures for subsequent orders or replacements in regards to product appearance, CCT, or lumen output.

WARRANTY

Limited Warranty

This product has a five (5) year limited warranty from the date of shipment. This warranty does not include the additional accessories referenced in this specification sheet. Complete warranty details for fixtures and additional accessories are available at www.diodeled.com/limited-warranty/ within the Policies section. For warranty related questions please contact product support.

Consumer's Acknowledgment

Elemental LED, Inc. stands behind its products when they are used properly and according to our specifications. By purchasing our products, the purchaser agrees and acknowledges that lighting design, configuration and installation is a complex process, wherein seemingly minor factors or changes in layout and infield adjustments can have a significant impact on an entire system. Choosing the correct components is essential. Elemental LED is able to work with the original purchaser to make an appropriate product selection to the extent of the limited information that the customer can provide, but it is virtually impossible for Elemental LED to design a system that foresees every unknown factor. For this reason, this Warranty does not cover problems caused by improper design, configuration or installation issues. Any statement from a Elemental LED employee or agent regarding a customer's bill of goods and/or purchase order is NOT an acknowledgment that the products purchased are designed and configured correctly. The purchase agrees and acknowledges that it is the customer's responsibility to adhere strictly to all information contained in the Product Specification Sheets.

There is often more than one way to design, configure and layout an LED lighting application properly to achieve the same lighting effect. Elemental LED strongly recommends that licensed professionals be used in the design and installation of lighting systems that include Elemental LED products. The specifications include important information that a designer and installer should carefully review and strictly follow. Qualified designers and certified and/or licensed installers, with access to the final installation environment, customer goals, and Elemental LED product specifications can make the requisite decisions appropriate for a successful finished lighting application.



© 2020 Elemental LED, Inc. All rights reserved.
Specifications are subject to change without notice.
Toll Free: 877.817.6028 | www.elementalled.com | solutions@elementalled.com